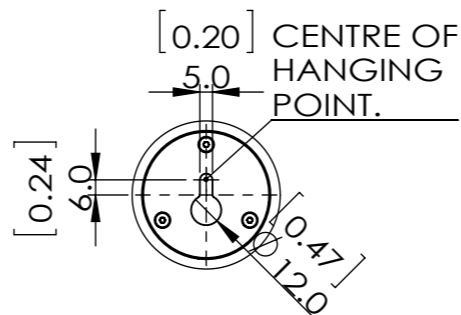
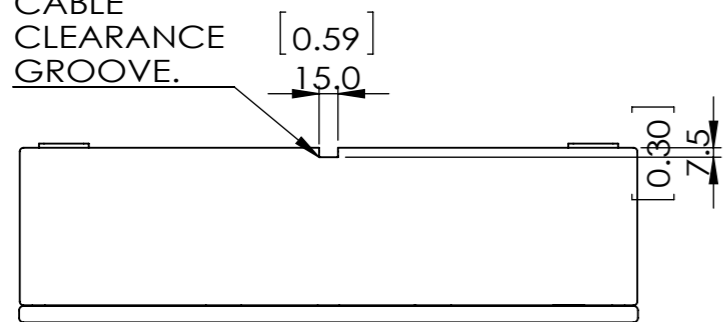


DO NOT SCALE - IF IN DOUBT ASK!

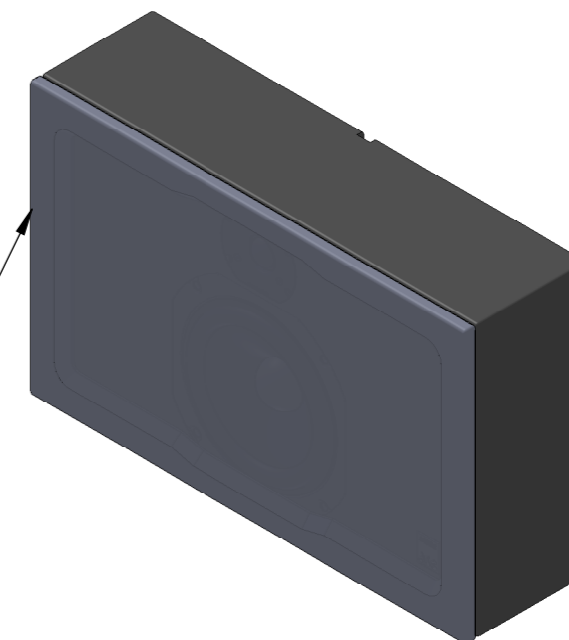
STRICTLY PRIVATE AND CONFIDENTIAL - ADDRESSEE ONLY

SPEAKER  
CABLE  
CLEARANCE  
GROOVE.

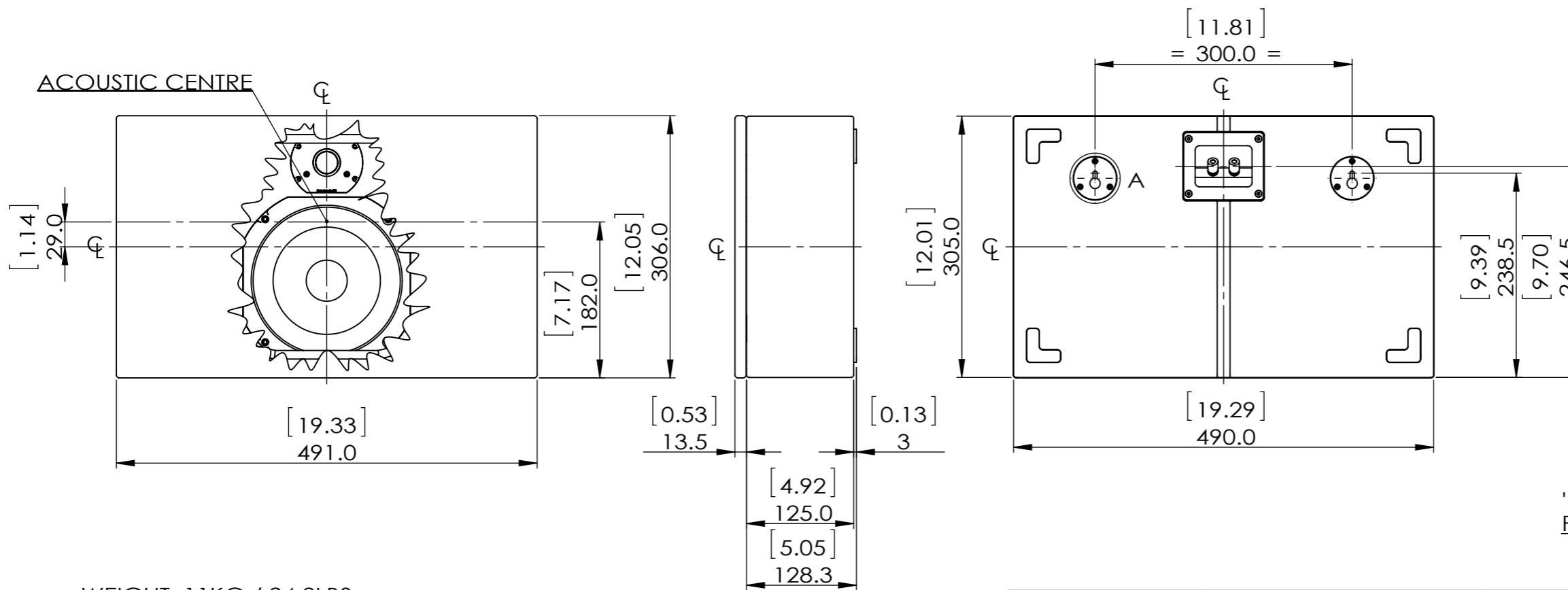


DETAIL A  
SCALE 1 : 3

FABRIC  
WRAPPED  
GRILL.

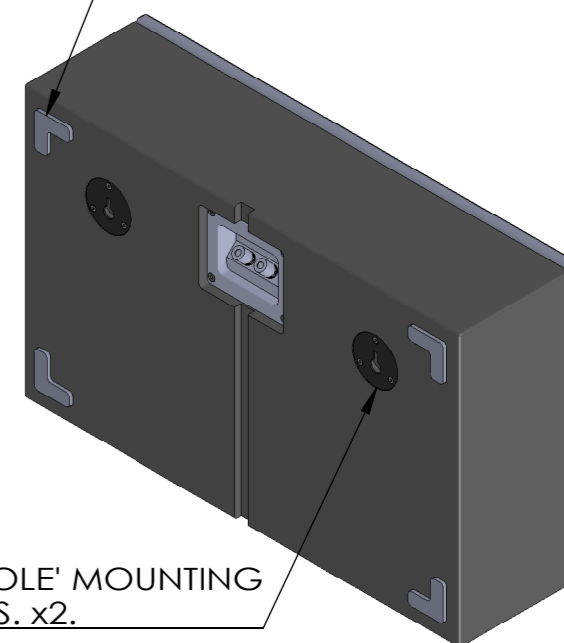


ACOUSTIC CENTRE



ANTI-VIBRATION  
FOAM PADS  
x4

'KEYHOLE' MOUNTING  
PLATES. x2.



WEIGHT: 11KG / 24.2LBS  
COLOUR OPTIONS: BLACK or WHITE SATIN PAINT  
DIMENSIONS IN MM AND [INCHES]

1. REMOVE ALL BURRS & SHARP EDGES (BREAK ALL EDGES - MAX 0.2 RAD)
2. PLEASE PACK & HANDLE TO AVOID ANY DENTS, BRUISING & SCRATCHES
3. THIS IS A COSMETIC PART
4. THERE MUST BE NO VISIBLE MACHINING MARKS

REV	DATE	DRAWN	CHK'D	APPV'D	MODIFICATION
*	00-00-00	***	***	***	***
A	08-07-17	BSL	***	***	NEW DRAWING - SOLIDWORKS



LOUDSPEAKER TECHNOLOGY LTD  
GYPSY LANE  
ASTON DOWN  
STROUD  
GLOUCESTERSHIRE GL6 8HR  
TELEPHONE: 01285 760561  
www.atc.gb.net

MATERIAL:  
FINISH: SATIN BLACK or SATIN WHITE PAINT

All copyright, design rights and any other intellectual property rights in the contents of, or in any attachments to, this form, to include any plans, design, photographs, specifications and other materials, remain the exclusive property of Loudspeaker Technology Ltd, are strictly private and confidential, and may not be reproduced or transmitted, in any form or by any means, or stored in any system, without the prior written consent of Loudspeaker Technology Ltd and, if requested, must be immediately returned to Loudspeaker Technology Ltd.

©LOUDSPEAKER TECHNOLOGY LTD 2012  
ALL RIGHTS RESERVED.

This form and any attachments to it, may not be reproduced or transmitted, in any form or by any means, or stored in any system, without the prior written consent of Loudspeaker Technology Ltd, and if requested, must be immediately returned to Loudspeaker Technology Ltd.

PROJECT  
HOME THEATRE SERIES (HTS) LOUDSPEAKERS

DWG NO. HTS11C ASSEMBLY - CUSTOMER REV A

TITLE  
HTS11C ASSEMBLY - CUSTOMER

TOLERANCES UNLESS OTHERWISE STATED

MACHINED DIMENSIONS	SHEET METAL DIMENSIONS	
	INTERNAL	EXTERNAL
ONE DECIMAL PLACE: +/- 0.25MM	UNDER 15 : +0.20	-0.20
TWO DECIMAL PLACES: +/- 0.10MM	15 TO 100 : +0.35	-0.35
ANGULAR: +/- 0.50DEG	OVER 100 : +0.50	-0.50

WEIGHT	
SCALE	PAPER
1:6	A3

ALL DIMENSIONS IN MILLIMETRES U.O.S. - REMOVE SHARP EDGES SHEET 1 OF 1

THIRD ANGLE PROJECTION