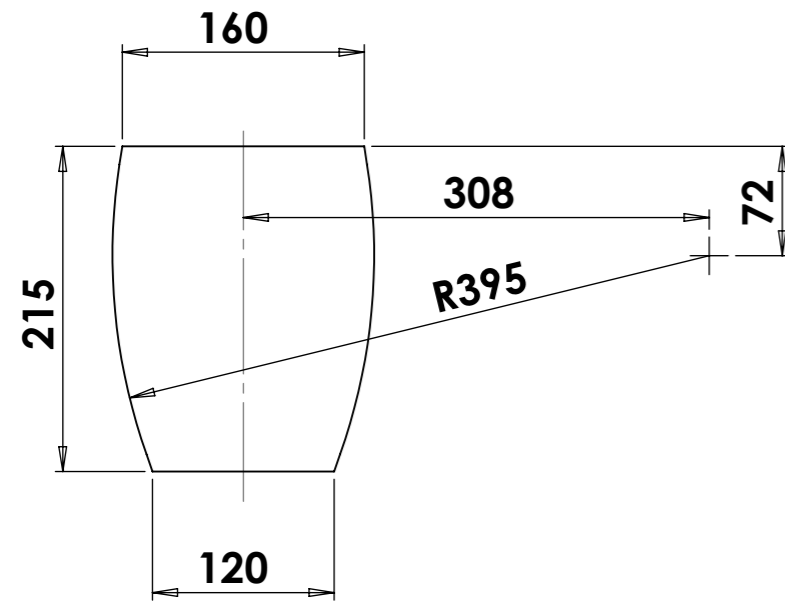
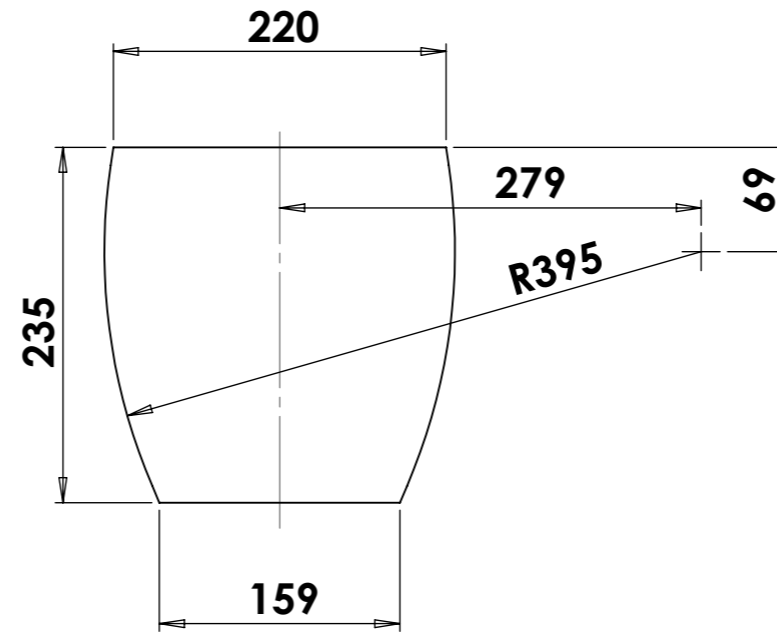


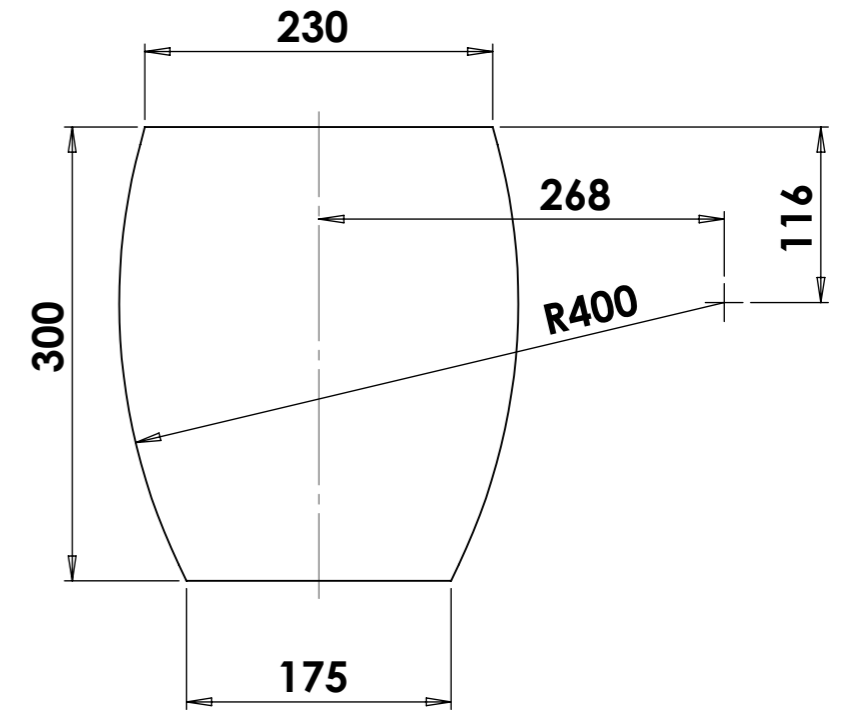
# CABINET BASE DIMENSIONS - HIFI SERIES



**SCM 7**



**SCM 11**



**SCM 19**

1. REMOVE ALL BURRS & SHARP EDGES (BREAK ALL EDGES - MAX 0.2 RAD)
2. PLEASE PACK & HANDLE TO AVOID ANY DENTS, BRUISING & SCRATCHES
3. THIS IS A COSMETIC PART
4. THERE MUST BE NO VISIBLE MACHINING MARKS

REV	DATE	DRAWN	CHK'D	APPV'D	MODIFICATION
*	00-00-00	***	***	***	***
A	30-06-14	MAWBY	***	***	NEW DRAWING - SOLIDWORKS



LOUDSPEAKER TECHNOLOGY LTD  
 GYPSY LANE  
 ASTON DOWN  
 STROUD  
 GLOUCESTERSHIRE GL6 8HR  
 TELEPHONE: 01285 760561  
 www.atc.gb.net

MATERIAL:	PROJECT <b>INSTALLATION INFORMATION</b>	
FINISH:	DWG NO. <b>CBS01revA</b>	REV <b>A</b>
<small>All copyright, design rights and any other intellectual property rights in the contents of, or in any attachments to, this form, to include any plans, design, photographs, specifications and other materials, remain the exclusive property of Loudspeaker Technology Ltd, are strictly private and confidential, and may not be reproduced or transmitted, in any form or by any means, or stored in any system, without the prior written consent of Loudspeaker Technology Ltd and, if requested, must be immediately returned to Loudspeaker Technology Ltd.</small>		
TITLE <b>CABINET BASE SILHOUETTES - HIFI ACTIVE</b>		
TOLERANCES UNLESS OTHERWISE STATED MACHINED DIMENSIONS: ONE DECIMAL PLACE: +/- 0.25MM TWO DECIMAL PLACES: +/- 0.10MM ANGULAR: +/- 0.50DEG		SHEET METAL DIMENSIONS INTERNAL: UNDER 15 : +0.20 EXTERNAL: UNDER 15 : -0.20 15 TO 100 : +0.35 OVER 100 : +0.50 -0.35 -0.50
WEIGHT SCALE <b>1:5</b> PAPER <b>A3</b>		SHEET 1 OF 1
ALL DIMENSIONS IN MILLIMETRES U.O.S. - REMOVE SHARP EDGES		



THIRD ANGLE PROJECTION